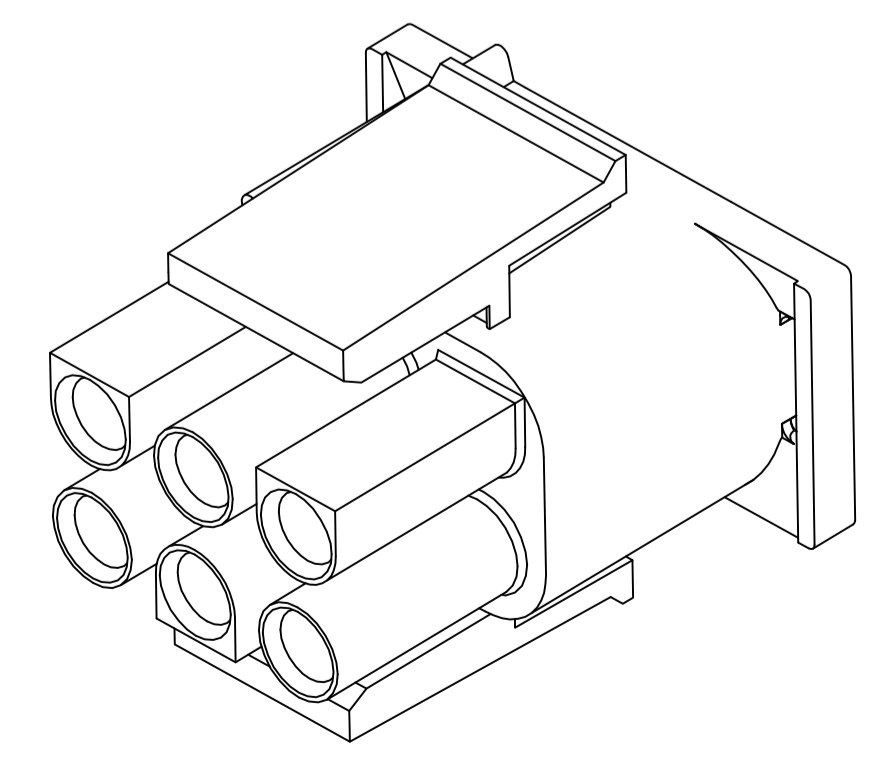


DETAIL A  
OPTIONAL CONSTRUCTIONS

1. MATES WITH APPROPRIATE UNIVERSAL MATE-N-LOK™ CAP OR HEADER.
2. SMALL NICKS ARE PERMITTED ON THE CIRCUIT TOWERS WHICH COULD INCREASE THE INITIAL HOUSING MATING FORCE BY UP TO 4.4 NEWTONS [1.0 LBS]. NO INDIVIDUAL NICKED TOWER SHALL INCREASE THIS FORCE BY OVER 2.2 NEWTONS [.5 LBS].
3. DIMENSION INDICATED IS AS MOLDED. ADDITIONAL GROWTH DUE TO SUBSEQUENT MOISTURE ABSORPTION MAY OCCUR.
4. FOUR RIBS EQUALLY SPACED, NO SPECIFIC ORIENTATION. NO RIBS OR SIX RIBS EQUALLY SPACED, NO SPECIFIC ORIENTATION, OPTIONAL.
5. UNDERWRITERS RECOGNIZED COMPONENT LOGO AND CSA CERTIFICATION LOGO TO BE LOCATED ONCE EACH ON SIDE OF HOUSING.
6. MANUFACTURING LOCATION ID ON SIDE OF HOUSING (OPTIONAL).
7. TRADEMARK LOCATION (AMP OR TE CONNECTIVITY).
8. OBSOLETE PARTS: OBSOLETE CIS STREAMLINING PER D.RENAUD/D.SINISI

27.43	1.080
20.32	.800
13.97	.550
11.68	.460
0.38	.015
0.13	.005
MM	IN

CONVERSION TABLE



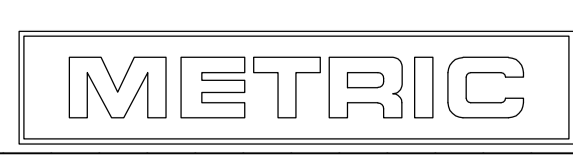
3-DIMENSIONAL MODEL NTS

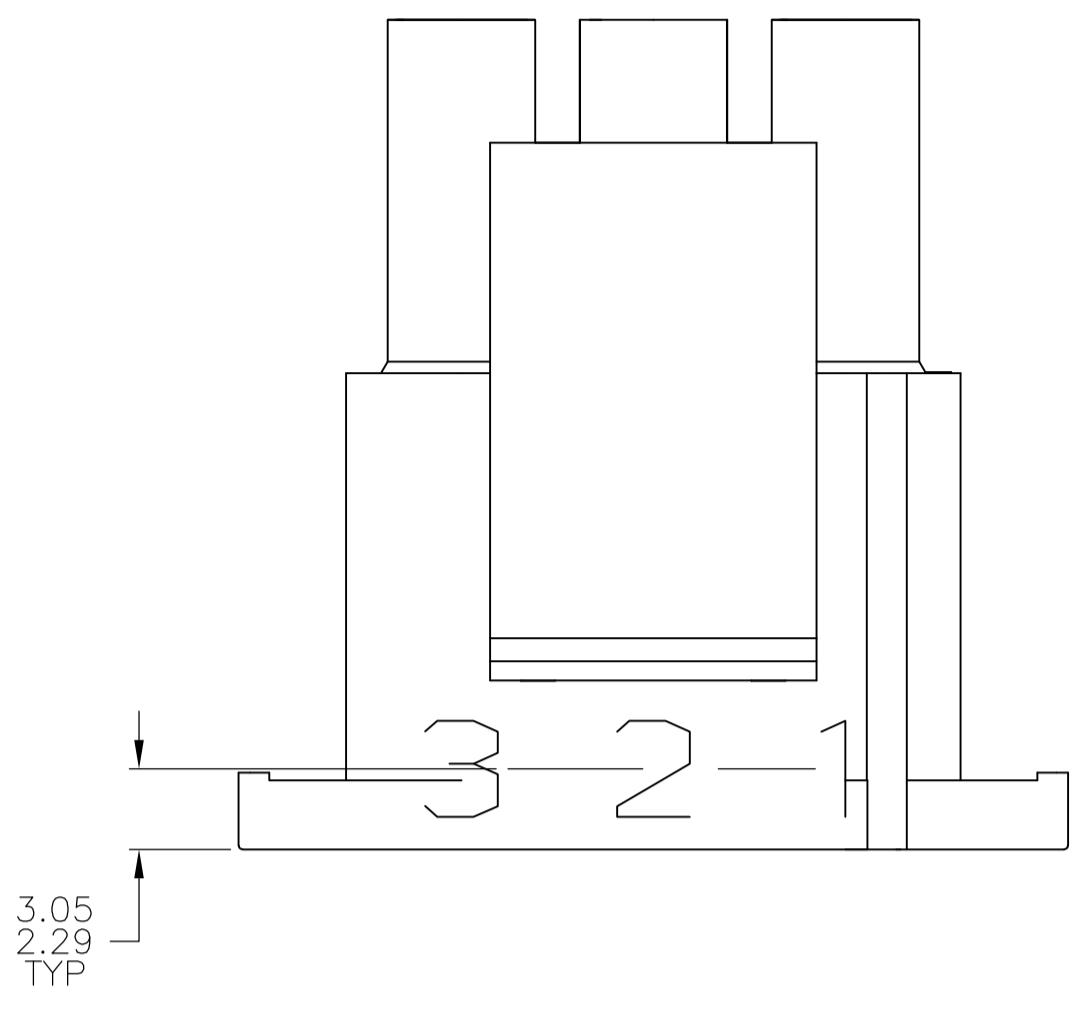
8	SUPERSEDED BY 1-480704-0	BLACK	1-480704-9
8	OBSOLETE	GRAY	-1-480704-8
8	OBSOLETE	BLUE	-1-480704-6
8	OBSOLETE	GREEN	-1-480704-5
8	OBSOLETE	YELLOW	1-480704-4
8	OBSOLETE	ORANGE	-1-480704-3
		RED	1-480704-2
		BROWN	1-480704-1
		NATURAL	1-480704-0
		COLOR	PART NUMBER

THIS DRAWING IS A CONTROLLED DOCUMENT.

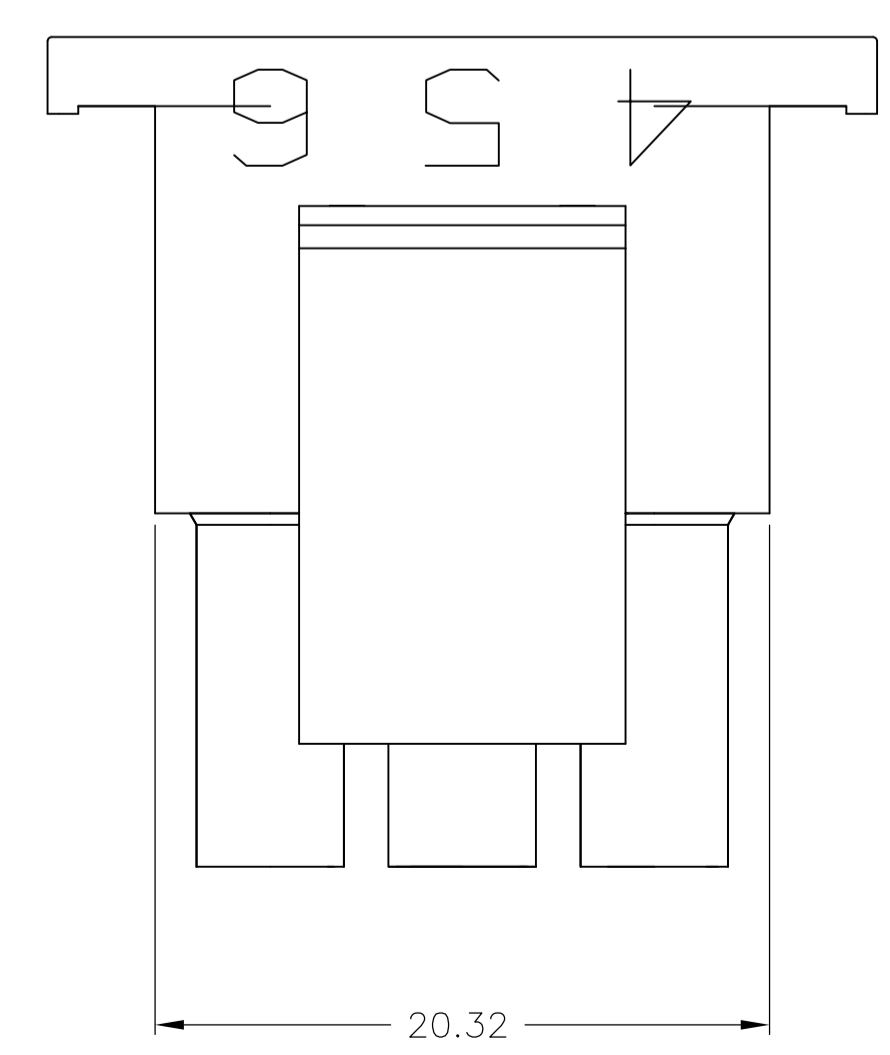
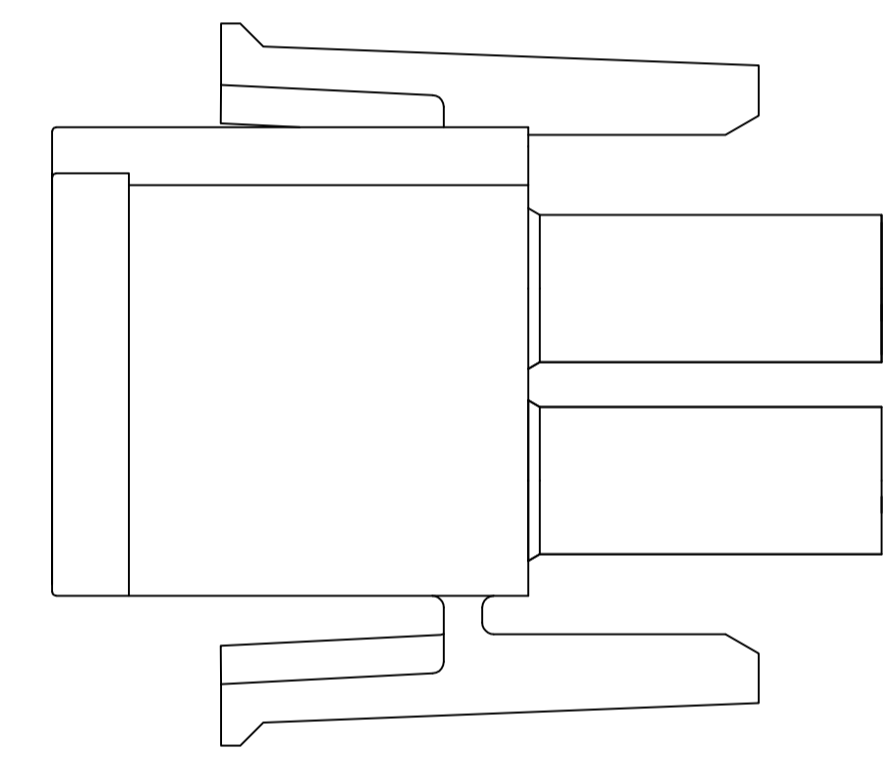
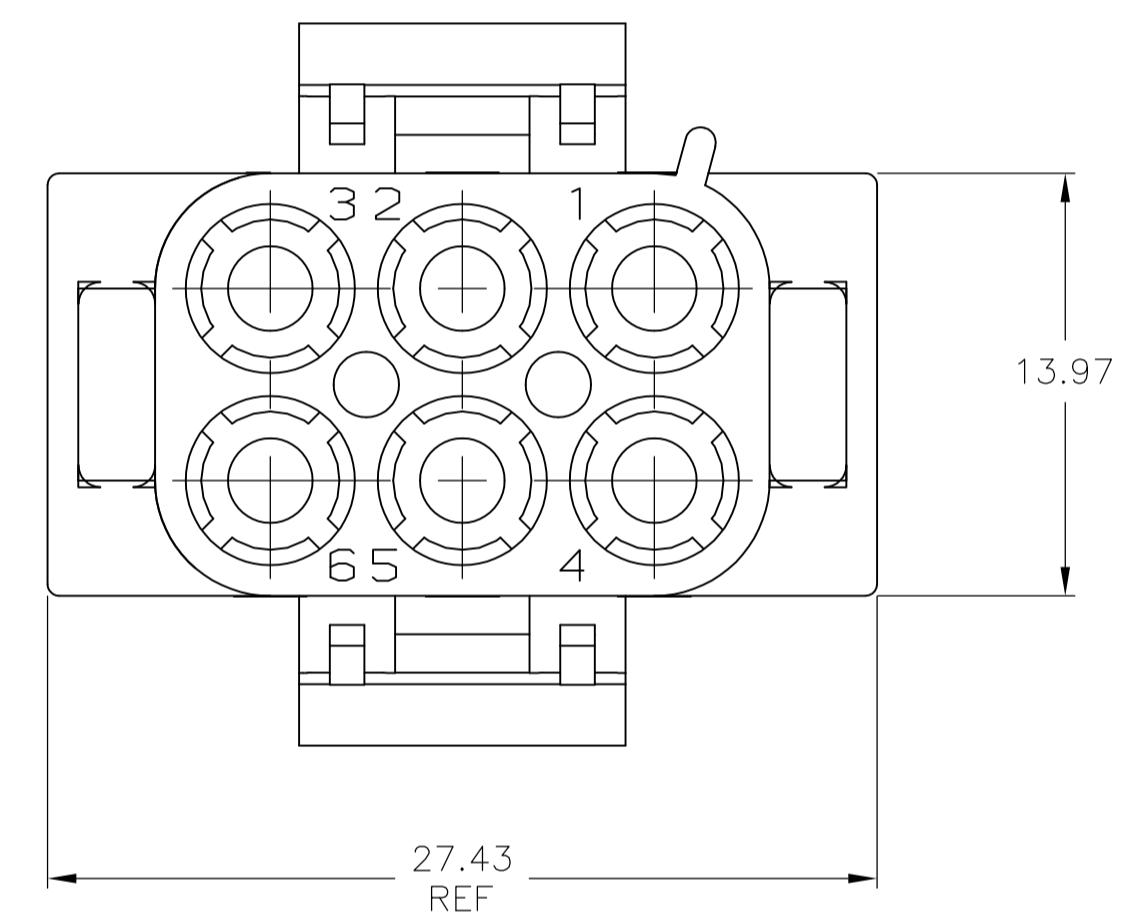
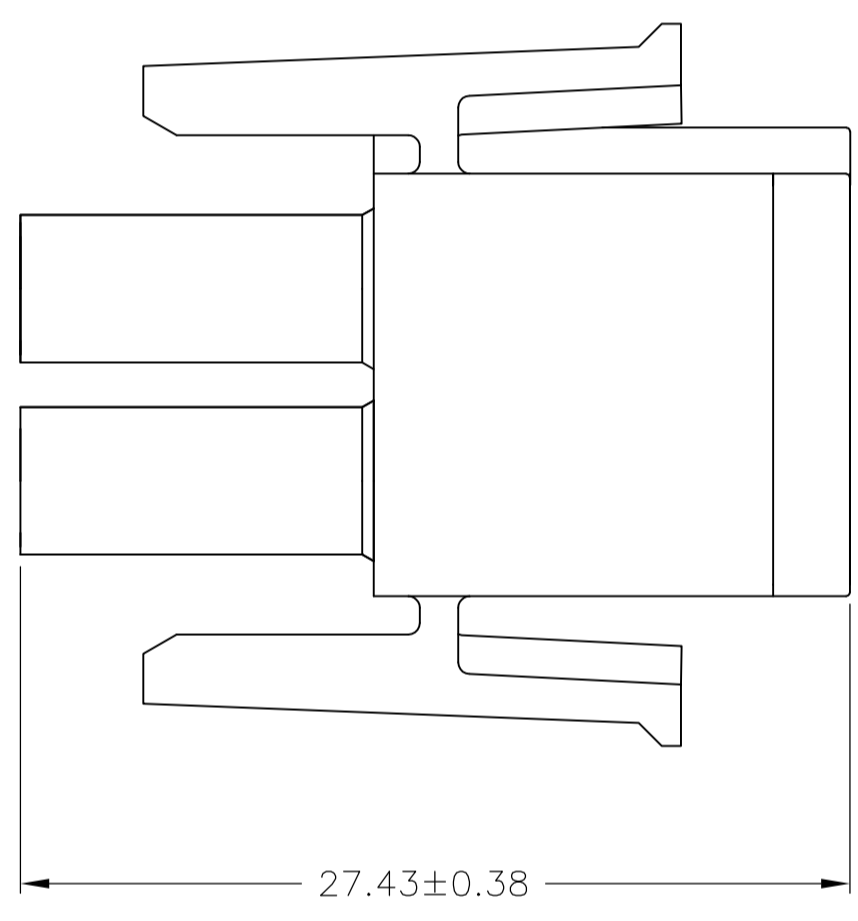
DIMENSIONS: mm	TOLERANCES UNLESS OTHERWISE SPECIFIED:	DIN K. WHITAKER 23MAR05	CHK S. RIDGILL 23MAR05	APVD S. RIDGILL 23MAR05	NAME
0. PLC ± -	1. PLC ± -				PLUG, 6 CIRCUIT, UNIVERSAL MATE-N-LOK(TM)
2. PLC ± 0.13	3. PLC ± -				SIZE CASE CODE DRAWING NO
4. PLC ± -	ANGLES ± 0.30°				A1 00779 C=480704
MATERIAL NYLON,UL 94V-2	FINISH -	WEIGHT -			RESTRICTED TO
					CUSTOMER DRAWING

SCALE 4:1 SHEET 1 OF 2 REV AP3





1. STAMP NUMBERS 3.18 HIGH AT WIRE END OF HOUSING (12 POINT DAVID TYPE).
2. CHARACTERS TO BE POSITIONED ON HOUSING TO BE READ FROM WIRE END ONLY.
3. VIOLET, BLACK, BROWN, AND BLUE COLORED BLOCKS TO BE STAMPED WITH WHITE CHARACTERS. ALL OTHER COLORED BLOCKS TO BE STAMPED WITH BLACK CHARACTERS.



MM	IN	MM	IN
3.05	.120	27.43	1.080
2.29	.090	20.32	.800
0.38	.015	13.97	.550
0.13	.005	3.18	.125

CONVERSION TABLE

NATURAL	2-480704-0
COLOR	PART NUMBER

**METRIC**

THIS DRAWING IS A CONTROLLED DOCUMENT.		DIN K. WHITAKER 23MAR05	NAME	
DIMENSIONS: mm		CHK S. RIDGILL 23MAR05	PLUG, 6 CIRCUIT, UNIVERSAL MATE-N-LOK(TM)	
TOLERANCES UNLESS OTHERWISE SPECIFIED:		APVD S. RIDGILL 23MAR05	PRODUCT SPEC	RESTRICTED TO
0. PLC ± -		APPLICATION SPEC	SIZE	SCALE
1. PLC ± -		WEIGHT	A1	4:1
2. PLC ± 0.13		CAGE CODE		SHEET
3. PLC ± -		480704		2 OF 2
4. PLC ± -		DRAWING NO		REV
ANGLES ± 0°30'		CUSTOMER DRAWING		AP3